



PROJECT		REF		REV	ITEM CODE	
LOCATION		DATE			PAGE	

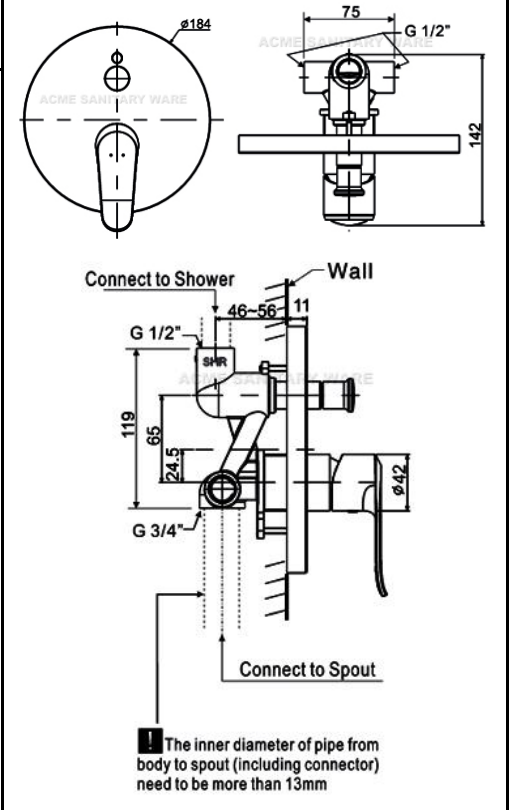
**SANITARY WARE SPECIFICATION SHEET**

Item Descriptions	American Standard (PRC) "Neo Modern" Chrome plated concealed bath and shower mixer	<p align="center">Illustration/ Drawing</p>
Dimensions	W184 x L142 x H184 mm	
Model	CF-0721.609.50	
Finish	Chrome Plated	
Manufacturer	American Standard (PRC)	
Source	Acme Sanitary Ware Co. Ltd Mr. Eric Wong / Mr. Wilson Hung	
Contact Tel/Fax	(852) 2388-7171 / (852) 2710-8012	
E-mail Website	acme@acmesanitary.com.hk www.acmesanitary.com.hk	

**FEATURES**

- Modern design that can fit with any style of bathroom
- Part of Neo Modern Collection
- Strong brass construction
- Nickel and chromium plating for durable finish
- Without shower kit and spout

**Neo Modern**



Note: Same product but different model no: wf-1303.101.50

\* All information of the above is for reference only. No prior notice is made if any changes.



水務署  
Water Supplies Department

總部 Headquarters

香港灣仔告士打道七號入境事務大樓 48 樓

7 Gloucester Road, Immigration Tower, Wan Chai, Hong Kong

本  
Our  
來函  
Your re



3321/2024 T/J(170/2024)

電話  
Tel.  
傳真  
Fax.

: 2824 0578

6 March 2024



**Approval of “AMERICAN STANDARD” Bath/Shower Mixer  
(General Acceptance No. C20240163)**

Your E-Application [file-id: ETJ-GA-20240208-15] dated 15 February 2024 refers.

Having considered the test report ref. 222320PC220211 issued on 28 November 2022 by Fugro Technical Services Limited, this Authority accepts that the fitting described below complies with, and its use when correctly installed does not contravene, the Waterworks Ordinance and Regulations.

**Name of Manufacturer:** Jiangmen LIXIL AS Sanitary Fitting Manufacturing Co Ltd

**Country of Origin:** the Mainland of China

**Brand:** American Standard

**Details of Fitting:** 1/2" Single lever bath and shower mixer

**Model:** CF-0721.609.50

**Body Markings:** *American Standard*

**Expiry Date:** 28 August 2027



This Authority hereby permits the use of the above fitting in fresh water plumbing systems subject to full adherence to Waterworks installation requirements. In particular, you are required to draw your customers' attention to the following requirement-

"The cold water supply to the fitting shall be drawn from the same source that supplies the hot water apparatus so as to provide a balanced pressure and to obviate the risk of scalding in the event of a restriction or failure in the water supply." AND

"The shower head or handspray should not be placed in submerged conditions and should be securely fixed to the original position after use."

A condition of this acceptance is that the fitting to be installed shall be replicas of the sample as certified by the testing agent mentioned above and without modifications. This acceptance may be withdrawn at any time if the standard of the fitting installed fails to meet that of the approved sample or if the fitting is found to be unsuitable for use in fresh water plumbing systems.

This acceptance is only applicable to the main body of the fitting, unless otherwise specified.

For the use of the fitting in any project, the General Acceptance Number of this letter must be quoted as a means of identification of acceptance of the fitting by this Authority.

Should you have any enquiries, please contact our Engineer Mr Albert CHOW at tel. no. 3583 4086.

Yours faithfully,



(Terry KUNG)

for Director of Water Supplies

Encl.

c.c. WSD 3321/1/82 ] - without catalogue  
ME/MC ] - with soft copy only